



(19)

(11) Publication number:

Generated Document.



PATENT ABSTRACTS OF JAPAN

(21) Application number: **05263467**(51) Intl. Cl.: **B01D 53/56 B01D 53/74 B01D 53/76**(22) Application date: **21.10.93**

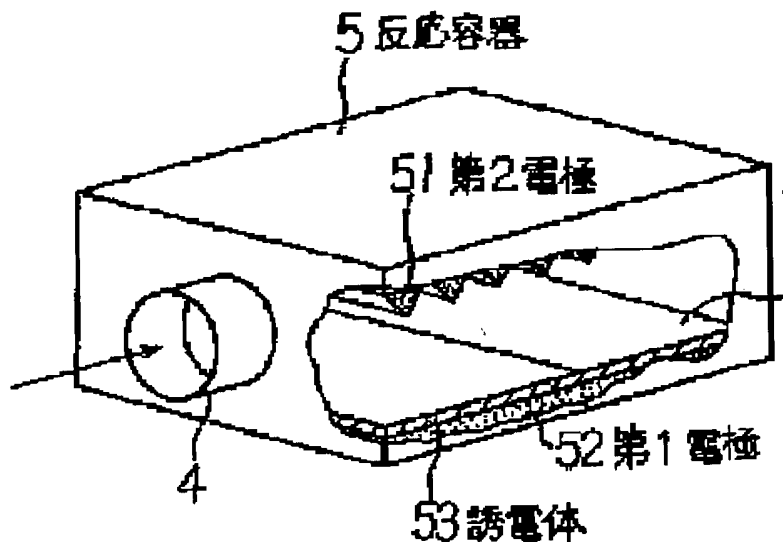
<p>(30) Priority:</p> <p>(43) Date of application publication: 09.05.95</p> <p>(84) Designated contracting states:</p>	<p>(71) Applicant: MITSUBISHI HEAVY</p> <p>(72) Inventor: NISHIDA SEIICHI TAKANO AKIMI</p> <p>(74) Representative:</p>
---	--

(54) APPARATUS FOR TREATING EXHAUST GAS

(57) Abstract:

PURPOSE: To provide an apparatus for treating exhaust gas the performance of which is not deteriorated by the gas even with a high oxygen concentration.

CONSTITUTION: An apparatus is equipped with a cylindrical reactor 5 with inlet and outlet, the first electrode plate 52 arranged in the reactor 5 with its surface oriented along the flow of gas, the second electrode 51 which is placed opposite to the first electrode 52 and has a serrate surface, a dielectric material 53 covering the surface of the first electrode 52, a carbon layer placed on the rear side of the dielectric material 53, and a power source connected to the first and second electrodes.



COPYRIGHT: (C)1995,JPO